

FIG. NL- 1406

LEAD FREE 400 WOG F1960 COLD EXPANSION BRASS BALL VALVE



Features:

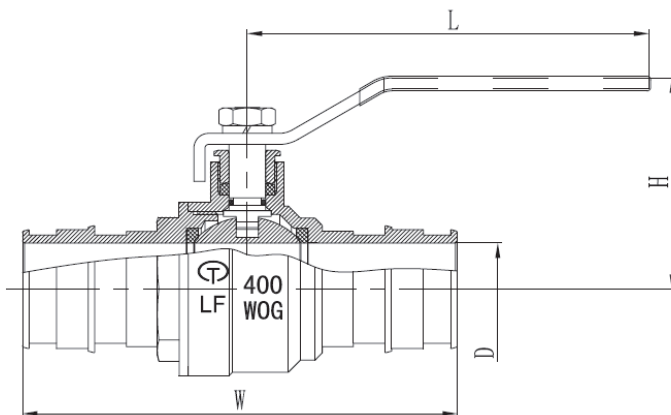
- Dezincification Resistant (DZR) Lead Free Brass Material
- PROPEX end Conform To ASTM F1960
- Forged Brass Body
- Blow Out Proof Stem Design
- Packing Nut, O-RING & Packing On The Stem Seal
- Stainless Steel Ball
- Handle With Vinyl Grip

Performance Rating:

- 400 psi (WOG) 150 psi (WSP) Service
- Temperature Range : -20°F to 300°F

Material List:

Part Name	Material
Body	ASTM B283 C46400
Seat	PTFE
Ball	Stainless Steel
Stem O-Ring	NBR
Packing Nut	Brass
Stem	Brass
Lock Nut	Ferrum /Zinc Plated
Lock Washer	Ferrum /Zinc Plated
Packing	PTFE
Handle	Ferrum /Chrome Plated
Cap	Lead Free Brass



Dimensions: (inch)

SIZE	D	L	H	W	Cv
3/8"	0.276	3.46	1.64	2.37	4.04
1/2"	0.394	3.46	1.69	2.58	8.23
3/4"	0.611	3.46	1.81	3.31	19.80
1"	0.812	4.29	2.09	3.98	34.98
1 1/4"	0.984	4.29	2.25	4.65	51.55
1 1/2"	1.103	5.63	2.45	5.52	64.64
2 "	1.575	5.63	2.74	6.91	131.92
2 1/2"	2.010	5.63	3.04	8.80	214.45
3 "	2.440	7.76	4.25	10.75	316.93